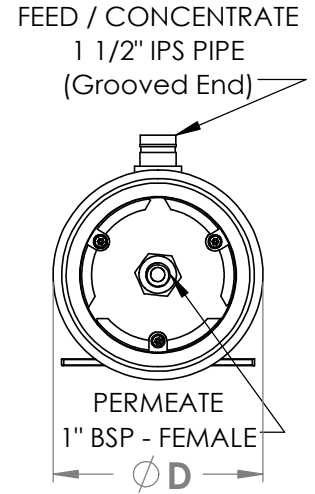
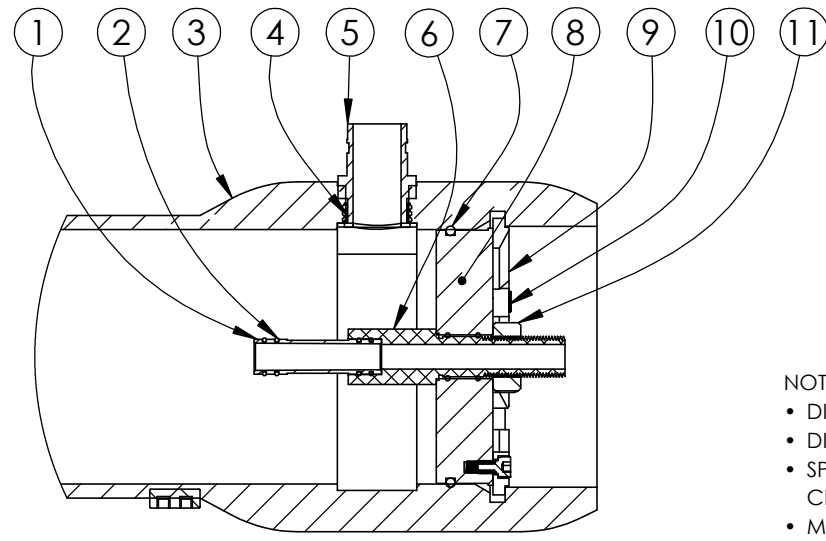


CENTER VESSEL ON 2 SUPPORTS AT SPANS "E"
 3 SUPPORTS ARE REQUIRED FOR LENGTHS 4 AND OVER



SIDEPORT



**600
PSI**

NOTES:
 • DIMENSIONS IN MILLIMETERS(MM).
 • DIMENSIONS FOR REFERENCE ONLY.
 • SPECIFICATIONS SUBJECT TO CHANGE WITHOUT NOTICE.
 • MAERIALS MAY DIFFER BASED ON REQUIREMENT.

SECTION THROUGH END CLOSURE

DWG REF	QTY	DESCRIPTION	MATERIAL
①	2	Membrane Connector	Engineering ThermoPlastic
②	8	Inter connector seal	Silicon O Ring
③	1	FRP Shell	Filament Wound Composite (FRP)
④	2	Feed Port Seal	Stainless Steel 304
⑤	2	Feed Port	Stainless Steel 304
⑥	2	Permeate Port	Engineering Thermo Plastic
⑦	2	EndCap Seal	Silicon O Ring
⑧	2	Endcap	Engineering Thermo Plastic
⑨	6	Lockplate	Stainless Steel 304
⑩	6	LockPlate Screw	M10 - SS 304
⑪	2	Permeate Port Nut	Engineering Thermo Plastic

Shell Element Code	L Length mm	P Span mm	S Shell Dia OD mm	D Bell Dia OD mm
1	1498	1099	216	267
2	2515	2116	216	267
3	3533	3133	216	267
4	4545	4150	216	267
5	5565	5167	216	267
6	6582	6184	216	267

MODEL ALFA AEROSOL 80S-E

Manufactured By:

 A LANDMARK OF COMPOSITE PRODUCTS
www.aacppindia.com